



JANUARY 2022

Upcoming Contracting Opportunities

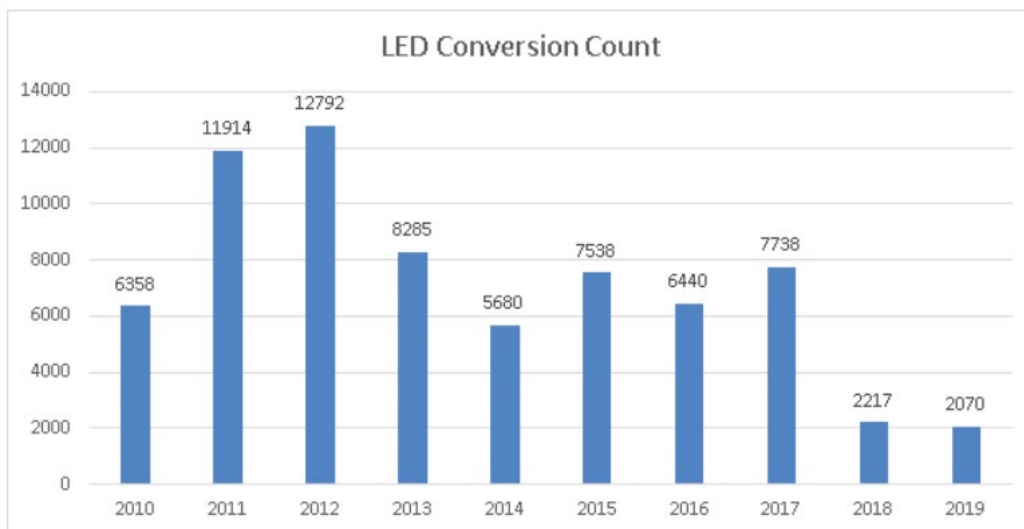
Excluding Memberships, Subscriptions, Sole Source, Contract Renewals, Non-Profit Spend, an any other DX Doc Types

Project Name: (Construction)	Streetlight LED Conversion Program
Division Name:	Asset Management and Large Projects Division
Location details: (Construction only)	Throughout Seattle City Light service areas including the Seattle City Limits and occasional adjacent franchise cities.
Anticipated contract advertisement date:	The 1 st quarter of 2022
Estimated budget:	\$100,000 - \$400,000 annually
Description:	<p>This Scope of Work (SOW) requires that the contractor address all Street Lights, Globe Lights, Decorative Lights, Pedestrian Lights, Flood Lights, and other City Light maintained luminaires within City Lights distribution area. The contractor shall perform both routine and outage maintenance and luminaire replacement on approximately 86,000 lights within the distribution area using group or spot processes.</p> <p>At each luminaire location, the contractor shall replace the luminaire when required or revamp the luminaire by replacing the lamp and, if applicable, the photoelectric control (PE cell), clean each fixture, verify fixture line voltage, install a label on each fixture, and verify and adjust luminaire leveling, alignment, and socket settings as needed. In addition, the contractor shall check and note street light condition and tree and vegetation obstructions. The contractor is to track electronically all records of work performed using field data collecting equipment and complete various reports.</p> <p>- City Light shall provide the new lamps, PE cells, and luminaires as well as contractor access to disposal service for the removed lamps and PE cells.</p>

	<ul style="list-style-type: none"> - The contractor shall be responsible to remove, recycle, and dispose the old ballast, capacitors, transformers, and luminaire housing from those luminaries that are being replaced. - The contractor shall be responsible for labor, cleaning materials, traffic control, Right-of-Way Use permitting, required licensing and equipment needed to complete the work and all other incidental material procurement. - The contractor shall be responsible for storing streetlight materials and ad hoc streetlight related responses such as maintaining and replacing automated metering equipment; removing graffiti, adjusting streetlights according to customer requests; installing overhead service lines to streetlights. - The contractor shall also be responsible to complete various project reports and meet various federal, state, and SCL standards, regulations, and requirements.
<p>Project Manager</p> <p>Contact information</p>	<p>Kevin Gorman, Streetlight LED Conversion, Program Manager</p> <p>Kevin.Gorman@seattle.gov</p> <p>Cell: 206-549-4830</p>

The following chart displays the approximate volume of streetlight LED conversions by year.

- 2010-2017 consisted of primarily cobrahead conversions. Decorative conversions began in 2017.
- 2020-present data is not yet available, but remains around the 2,000 level.
- It is expected that the program will begin the cobrahead conversions again within a few years.



LED LUMINAIRES

L35S SERENADE



L40C CLEVELAND



L40K CLEVELAND ID



L35U URBANSCAPE



L60K BOUNCE



L34M MARINA



L67P PROMENADE



L46A ARIETA



LDOM LK WA BLVD



3L129 FLOOD



L24G LEOTEK



L38 CREE



L52 LEOTEK



L52 CREE



L70 LED BETA



L70 LEOTEK



L132 LEOTEK



L135 LEOTEK



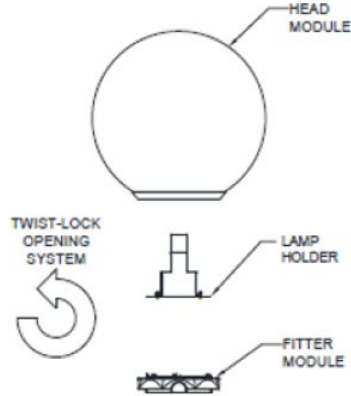
L195 LEOTEK



L270 LEOTEK



L70 CYCLONE GLOBE & OMNIMAX LAMP



Evluma OmniMax Lamp to be Screwed into lamp holder mogul socket



COBRAHEAD 1B,C,D,E,F

FLOOD 3A,B,C,E,D

TURTLE FLOOD 3D

ARCH TYPE

CLEVELAND



ENTABLATURE 1 & 2

PROMENADE 2PR

STYLE KINGS 2F

STYLE KING 2G



GARDCO 2JJ, 2KK

GARDCO CEILING 2BB

LAWNIRE 2H, 2L, 2J

STRATFORD 2R

GOthic 2O



ACORN Serenade 2Z, 2HH

WALL PACK Gardco2N, 2M

BROADMOOR 2Y, 2PP

BALLARD HIST 2W

SANDPT ACORN 1SP



LOWMOUNT 2B,C,D,E



PED Z47A



YESLER WY 2KL



OLD KIM 2KM



LAKE WA BLVD K11



UK - TUKWILA



SENECA RAMP 2XX



BURIEN 1SP



LAKE WA BLVD K11



LIGHTING LAB UK



5-BALL GLOBE 2QQ



ID KING w/ spike 200



3-BALL GLOBE 2AA



ACORN UK



MARION RAMP 2PP



CONV CENTER 21P



Z40? UK



HAMLIN-SHELBY ACORN 2Z, 2HF



2HH



SAND PT GLOBE 2SP

LOW MOUNT 2B,C,D,E

PED Z11

PED Z14

PED Z15



PED Z40

PED Z47A

TERRY PED Z60B

5TH AVE 2X, 2LL

NORTHGATE 2NN



METRO POULSON 2PO

FAILSAFE 2FS Gardo Underdeck

PIER LANTERN 2PL

GARDO/CONCOURSE 2BB



HPS COBRA HEAD



FORMER Standard

REPLACEMENT LED Standard

Red is WAMS nomenclature for each light

STYLE KINGS 2F, 2G

LAWNIAIRE 2H

PED, LED, Post-Top, Traditional 5723.19



Marina

013672

013748

Dark Green
Jet Black

Promenade

013868

013869

Black Lum
Black PE housing

GARDCO 2JJ, 2KK

ENTABLATURE 1&2

PED, LED, Side-Mount, Modern 5723.23



Arieta

013988

013989

Dark bronze
Gray

FORMER Standard

ACORN 2Z, 2HH



BROADMOOR 2Y, 2PP



PROMENADE 2PR



FORMER Standard

ID KING w/ spike 200



FLOOD 3A,B,C,E,D



REPLACEMENT LED Standard

Red is WAMS nomenclature for each light

PED, LED, Post-Top, Classic 5723.11



Serenade S56

013679 Black
013680 Dark green

L35S

K56 Cleveland

013681 Black
013682 Red

L40C

PED, LED, Post-Top, Transitional 5723.15



L35U



L60K

Urbanscape

013859 Black
013860 Gray

Bounce

013870 Lt Gray Lum
013871 Lt Gray PE Housing

REPLACEMENT LED Standard

PED, LED, Post-Top, International District 5723.31



L40K for both King and King Spike

King

013683 Red

FLOODLIGHT, LED, 5719.20



3L129 – 129 watt flood

013987 Bronze

FORMER Standard

LAKE WA BLVD K11



REPLACEMENT LED Standard

STREETLIGHT, LED, Pendant-Mount, Boulevard 5723.33



LDOM 90 watt decorative LED (currently in use in the Arboretum)

Stock # unk Black

LED BALL GLOBES-IN PROCESS 5724.15

5TH AVE 2X, 2LL

BALL GLOBES 2AA, 2QQ, 2SP

